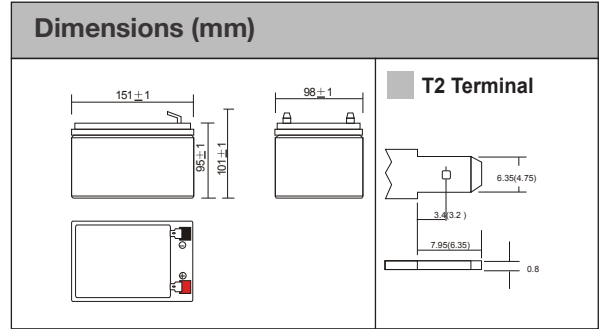


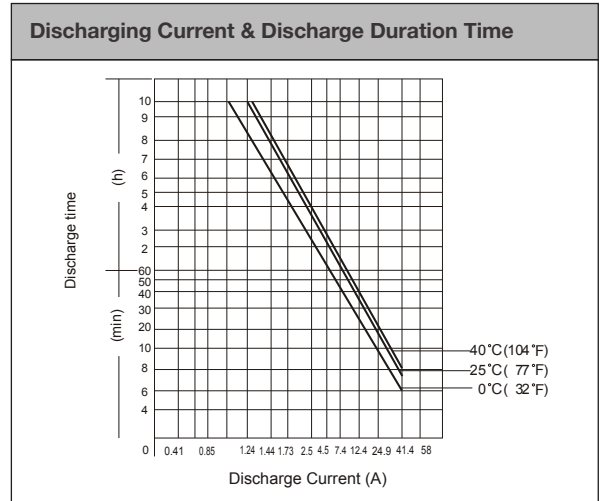
XCELL XP 12-12

12V 12AH (20 HOUR)



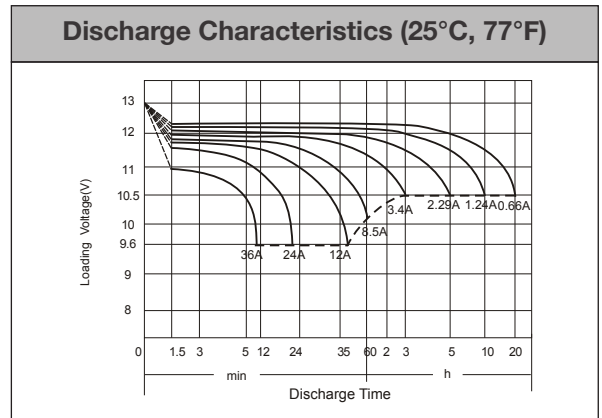
PHYSICAL SPECIFICATION

Nominal Voltage		12V
Nominal Capacity (20HR)		12AH
Dimension	Length	151 ± 1mm
	Width	98 ± 1mm
	Container Height	95 ± 1mm
	Total Height (with Terminal)	101 ± 1mm
Weight		Approx 3.60 kg
Standard Terminal		T2 (standard)



ELECTRICAL SPECIFICATION

Rated Capacity	20 hour rate (0.66A)	13.2AH	Constant Voltage Charge	Cycle	Initial Charging Current less than 3.6A. Voltage 14.4V-15.0V at 25°C (77°F) Temp. Coefficient -30mV/°C
	10 hour rate (1.24A)	12.4AH			
	5 hour rate (2.29A)	11.4AH			
	1 hour rate (8.5A)	8.5AH			
	15 minute rate (20.3A)	5.1AH			
Capacity affected by Temperature	40°C (104°F)	103%	Standby	No limit on Initial Charging Current Voltage 13.5V-13.8V at 25°C (77°F) Temp. Coefficient -20mV/°C	
	25°C (77°F)	100%			
	0°C (32°F)	86%			
Internal Resistance	Fully charged battery (25°C, 77°F) 16mΩ				



Constant Current (Amp) and Constant Power (Watt/Cell) Discharge Table

Discharge Time (Minute) to final voltage / cell

FINAL VOLTAGE	TIME	0.5	1	2	3	6	10	20	30	60	120	180	300	600
1.75V	A	79	73	66	53	46	36	19.2	13	8.3	4.3	3.4	2.3	1.2
25°C	W	125	108	98	78	69	58	35.	19	14.3	8.7	6.8	4.3	2.5
1.70V	A	107	96	87	69	59	44	19.6	14	8.5	4.7	3.6	2.3	1.3
25°C	W	172	147	133	108	89	64	37	24	15.7	9.1	7.2	4.5	2.5
1.60V	A	139	122	108	85	70	52	20.1	16	8.7	4.9	3.8	2.5	1.4
25°C	W	200	173	154	121	99	75	39	25	16.6	9.4	7.4	4.7	2.6
1.75V	A	69	63	58	46	40	32	19	13	7.0	4.0	3.0	2.1	1.1
5°C	W	110	99	92	73	65	55	31	18	11.9	7.4	5.8	3.8	2.1
1.70V	A	96	88	79	63	53	40	19.3	13	7.4	4.1	3.2	2.2	1.2
5°C	W	147	130	119	96	82	61	35	22	13.4	7.9	6.0	4.0	2.3
1.60V	A	119	106	91	72	58	43	19.8	13	7.5	4.3	3.4	2.3	1.2
5°C	W	184	161	143	115	97	64	37	23	13.8	8.3	6.4	4.1	2.4